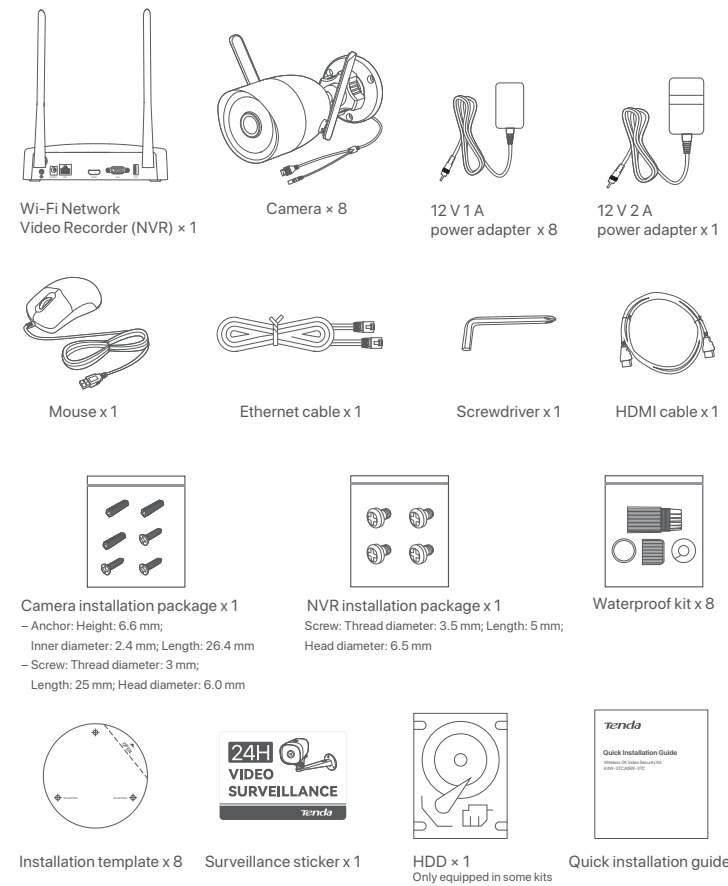


Quick Installation Guide

Wireless 2K Video Security Kit
K4W-3TC/K8W-3TC

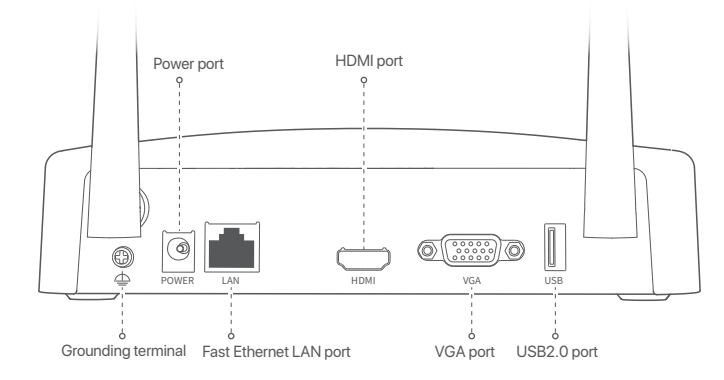
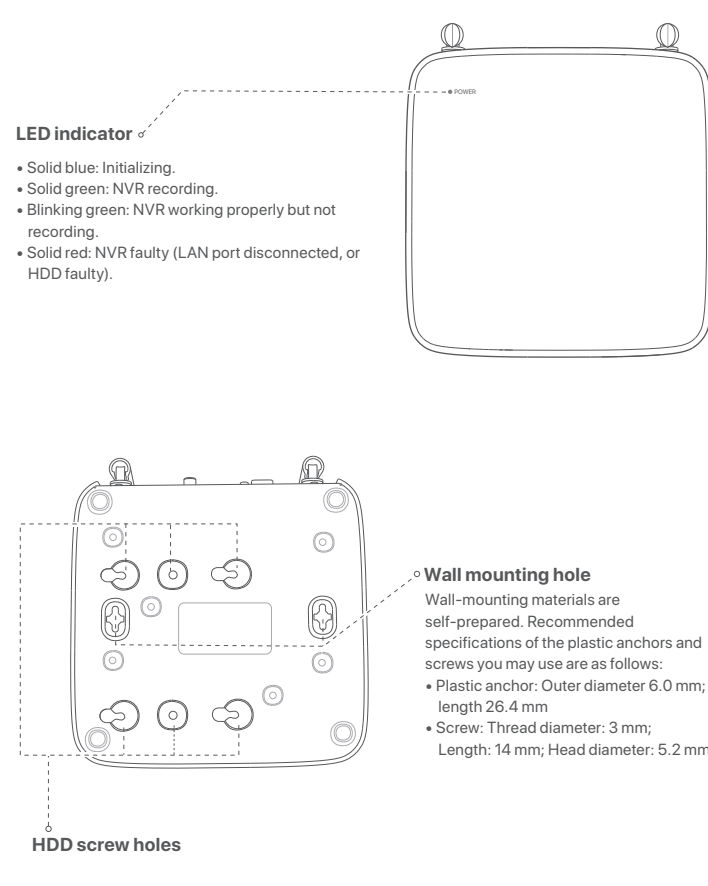
Package contents

The K8W-3TC kit is taken as an example here. The actual product prevails.



Appearance

NVR



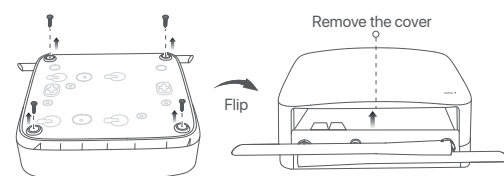
Ports	Description
	Grounding terminal. Connect the grounding terminal of the NVR to the earth or the ground terminal of the building with a grounding cable to prevent static electricity or lightning from damaging the NVR.
POWER	Power port. Use the included 12 V 2 A power adapter to power on the NVR.
LAN	Fast Ethernet LAN port. Used to connect to such devices as the router and switch.
HDMI	HDMI port. Connect your monitor or TV to this port using an HDMI cable for high-definition audio and video output.
VGA	VGA port. Connect your monitor to this port using a VGA cable for video signals.
USB	USB 2.0 port. Used for connecting such devices as a mouse and a USB storage device.

Install the HDD

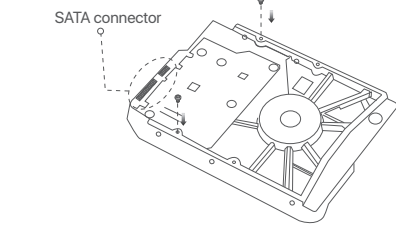
If the kit does not include any HDD, please prepare it by yourself. You are recommended to use the HDD dedicated for surveillance.

Tips
When installing or replacing the HDD, cut off the power of the NVR, otherwise, the HDD may not be detected or even be damaged.

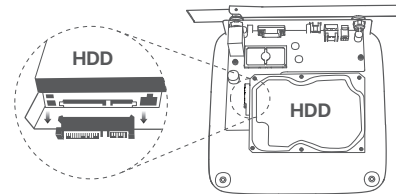
1. Unfasten the screws on the bottom, then remove the cover of the NVR. Reserve the screws for later use.



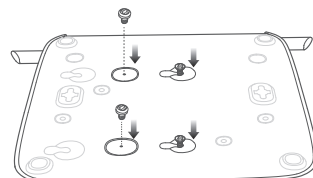
2. Take out 2 screws from the NVR installation package, and screw them into the two screw holes closest to the SATA connector. Reserve about 2 mm between the screw head and the HDD for subsequent installation.



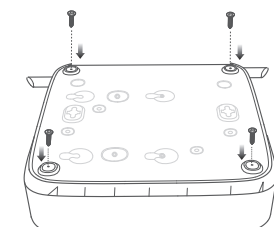
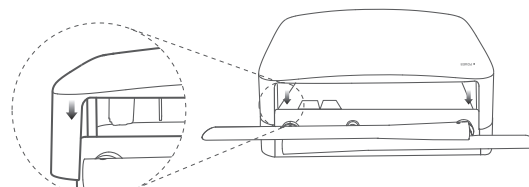
3. Align the SATA connector of the HDD with the SATA slot on the motherboard of the NVR, and then insert the HDD into the slot until it is tightly fixed.



4. Take out the remaining screws from the NVR installation package, and screw them into the HDD screw holes to fix the HDD.



5. Mount the cover with the previously removed screws.

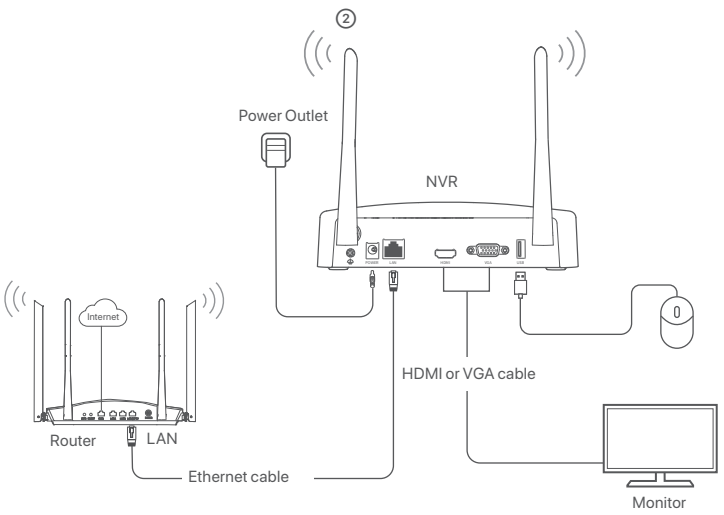
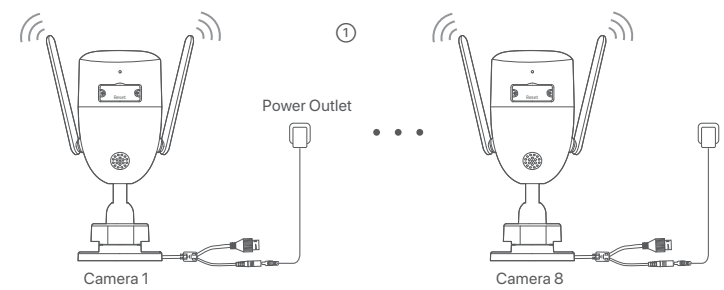


Connect the Device

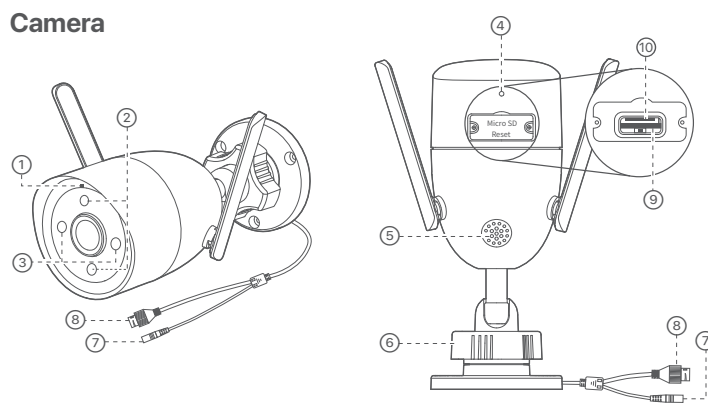
The K8W-3TC kit is taken as an example here.

① Place all cameras near the NVR, and use the included power adapter (12 V 1 A) to power on the cameras.
② Use the included power adapter (12 V 2 A) to power on the NVR.

The cameras and the NVR will automatically establish connections within 2 minutes. When the LED indicator of the cameras turns solid blue, the NVR successfully adds the cameras and starts recording.



Camera



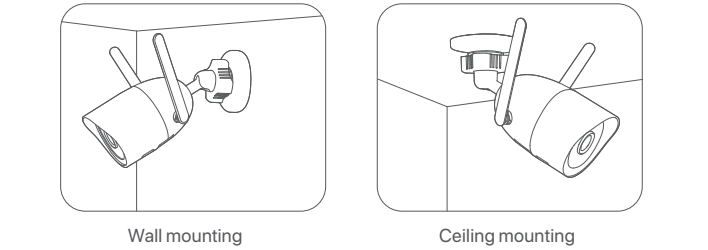
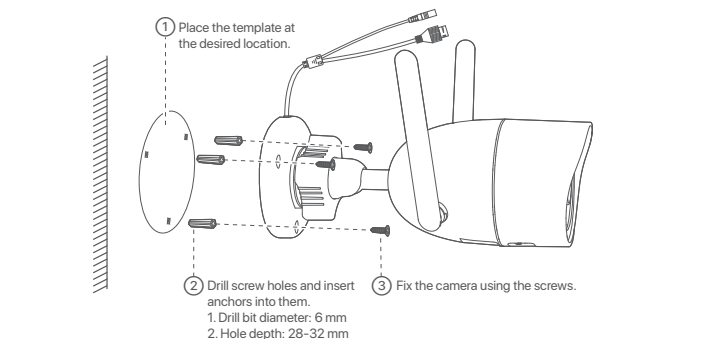
Item	Description
	LED indicator Solid red: Initializing and starting. Blinking red slowly: Disconnected from a network. Blinking red quickly: Connecting to the NVR. Solid blue: Connected to the NVR. Blinking blue slowly: Upgrading. Blinking blue quickly: Waiting to connect to a network.
	Fill light.
	Microphone.
	Speaker.
	Orientation knob. Adjust the monitoring angle for the best view through your camera.
	Power port. Use the included 12 V 1 A power adapter to power on the camera.
	Ethernet port, 10/100 Mbps auto-negotiation. Used for connecting such devices as the router and switch.
	Reset button (Behind the cover). Hold down the Reset button for about 5 seconds and release it when the LED indicator blinks blue quickly or hear a prompt tone. The camera is reset successfully.
	Micro SD card slot (Behind the cover). Only used to upgrade the firmware of the camera and does not support storage.

Install the Camera

Install the camera to the monitoring location as required.
- The camera needs to be placed within the wireless coverage of the NVR.
- The distance between the NVR or camera and the wireless router, induction cooker, microwave oven, and refrigerator should be more than 1 meter.
- The antennas of the NVR and the camera are placed vertically.

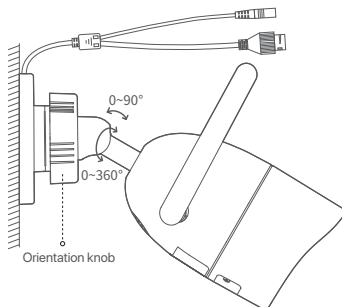
Fix the Camera

The camera supports ceiling and wall mounting.
Tips
(1) Please make sure the ceiling is strong enough to withstand three times the weight of the camera.
(2) You may need to prepare a hammer drill, a drill bit, a rubber hammer, a screwdriver, and a ladder for the installation.



Adjust the Monitoring Angle

Loosen the orientation knob, adjust the orientation of the camera as required, then tighten the knob.



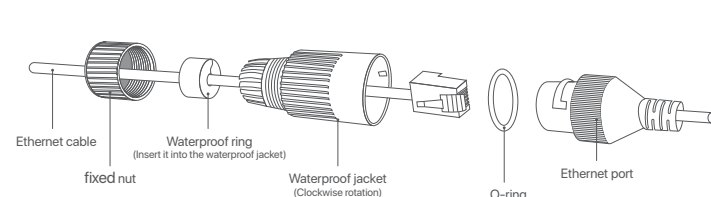
Install Waterproof Kit

Install the waterproof kit and wrap the end with waterproof tape for the Ethernet port and power port as required.

Tips
The included waterproof kit is not suitable for the Ethernet cable with protection cover on the crystal head. See the example on the right.

Please follow the steps below to install the waterproof kit when the Ethernet port of the camera is connected to an Ethernet cable.

- Put the O-ring on the Ethernet port of the camera.
- Press the Ethernet cable through the fixed nut, the waterproof ring and the waterproof jacket in sequence.
- Rotate to fix the waterproof jacket to the Ethernet port of the camera, insert the waterproof ring into the waterproof jacket and fasten the fixed nut.



FAQ

Q1: What should I do if the NVR fails to automatically add the camera?
A1: Try the following solutions:
- Ensure that the LED indicator of the NVR is on, if the LED indicator is off, check the power supply.
- Ensure that the LED indicator of the camera is blinking blue quickly, if not, reset the camera and try again.
Reset method: Hold down the Reset button for about 5 seconds and release it when the LED indicator blinks blue quickly or you hear a prompt tone.
- Add the camera on the management page of the NVR.

Q2: What should I do when the video preview is not smooth or the camera is often offline?
A2: Try the following solutions:
- Ensure that the distance between the NVR or camera and the wireless router, induction cooker, microwave oven, and refrigerator is more than 1 meter.
- If the distance is too far between the NVR and the camera, adjust the location of the NVR or the camera to shorten the distance.
- If there are too many obstacles (such as walls and glass doors) between the NVR and the camera, adjust the location of the NVR or the camera to reduce the obstacles.

Q3: How to add a new camera when the NVR is under stable operation?
A3: Ensure that the number of added cameras has not reached the limit. Then try the following steps:
1. Ensure that the new camera is under default settings. If not, reset it first.
2. Place the new camera near the NVR and power it on.
3. The NVR will automatically detect the camera. Add the camera after you verify the S/N on the pop-up window is correct.
4. Unplug the power of the camera and install the camera to the monitoring location as required.

Q4: What should I do if there is no video for playing back on the NVR?
A4: Try the following solutions:
- Ensure that the HDD is working properly.
- Navigate to **Configuration > Storage > HDD**.
- If the HDD is not detected, shut down the NVR first, reinstall the HDD and start up the NVR.
- If the HDD is under abnormal status, shut down the NVR first, reinstall the HDD and start up the NVR. If the problem persists, format the HDD.
- If the formatting fails, shut down the NVR first, replace the HDD and start up the NVR.
- Ensure that the recording plan is normal.
- Navigate to **Configuration > Storage > Schedule**, ensure that:
- The channel recording schedule is enabled.
- The recording time and recording type have been set properly. If not, set and save them as required.

Get Support and Services

For technical specifications, user guides and more information, please visit the product page or service page on www.tendacn.com. Multiple languages are available.
You can see the product name and model on the product label.



<https://www.tendacn.com/service/default.html>

Safety Precautions

Before performing an operation, read the operation instructions and precautions to be taken, and follow them to prevent accidents. The warning and danger items in other documents do not cover all the safety precautions that must be followed. They are only supplementary information, and the installation and maintenance personnel need to understand the basic safety precautions to be taken.
- Do not use the device in a place where wireless devices are not allowed.
- The NVR is used outdoors. NVR and power adapter are used indoors.
- The NVR is only suitable for mounting at heights > 2m; the camera is suitable for mounting at heights > 2m.
- For desktop mounting, the NVR must be horizontally mounted for safe use.
- Please use the included power adapter.
- The mains plug is used as the disconnect device, and shall remain readily operable.
- The power socket shall be installed near the device and easily accessible.
- Operating temperature: Power adapter: 0°C - 40°C; N3W-4H & N3W-8H: 0°C - 40°C; KCT6: -30°C - 50°C.
- Keep the device away from water, fire, high electric field, high magnetic field, and inflammable and explosive items.
- Do not use the power adapter if its plug or cord is damaged.
- If such phenomena as smoke, abnormal sound or smell appear when you use the device, immediately stop using it and disconnect its power supply, unplug all connected cables, and contact the after-sales service personnel.
- Disassembling or modifying the device or its accessories without authorization voids the warranty, and might cause safety hazards.
For latest safety precautions, see **Safety and Regulatory Information** on www.tendacn.com.



RECYCLING
This product bears the selective sorting symbol for Waste electrical and electronic equipment (WEEE). This means that this product must be handled pursuant to European directive 2012/19/EU in order to be recycled or dismantled to minimize its impact on the environment.
User has the choice to give his product to a competent recycling organization or to the retailer when he buys a new electrical or electronic equipment.

Basic Configuration

Local Management

Startup

Tips
Use the included power adapter to power on the NVR. An abnormal power supply will cause the NVR to work improperly, or even the NVR may be damaged.

Connect the 12 V 2 A power adapter to the power port of the NVR, and plug the power adapter into the power socket to start up the NVR.

Shutdown

Tips
Do not directly cut off the power of the NVR to force a shutdown; otherwise, the HDD may be damaged, videos may be lost, or even the NVR may be damaged.

After the mouse and monitor are connected to the NVR, you can perform the following settings on the GUI of the NVR (exit the Full-Screen interface):

Click in the upper right corner, click **Shutdown** , and then click **OK**. When "The Device is Shut Down. Please Cut Off the Power" appears on the screen, unplug the power adapter of the NVR.

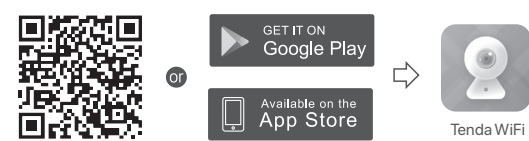
Quick Setup

After connecting the mouse and monitor to the NVR, you can perform quick setup.

App Management

After the cloud service of the NVR is enabled and the cloud status is **Online**, you can add and manage the NVR through the TDSEE App.

1. Download the TDSEE App.
After the mobile phone is connected to the internet successfully, download and install the TDSEE App onto your mobile phone by scanning the QR code or by searching for TDSEE in Google Play or App Store.



2. Ensure that the NVR is powered on and working properly.
3. Run the TDSEE App and follow the instructions to complete user registration. Enter the Home page, then tap **Add a device** or in the upper right corner of the home page.



CE Mark Warning

This is a Class B product. In a domestic environment, this product may cause radio interference, in which case the user may be required to take adequate measures.

This equipment should be installed and operated with a minimum distance 20cm between the device and your body.

NOTE: (1) The manufacturer is not responsible for any radio or TV interference caused by unauthorized modifications to this equipment. (2) To avoid unnecessary radiation interference, it is recommended to use a shielded RJ45 cable.

Declaration of Conformity

Hereby, SHENZHEN TENDA TECHNOLOGY CO., LTD. declares that the device is in compliance with Directive 2014/53/EU.

The full text of the EU declaration of conformity is available at the following internet address: <https://www.tendacn.com/download/list-9.html>

Hereby, SHENZHEN TENDA TECHNOLOGY CO., LTD. declares that the device is in compliance with Directive 2014/53/EU.

The full text of the EU declaration of conformity is available at the following internet address: <https://www.tendacn.com/download/list-9.html>

English: Operating Frequency/Max Output Power Italiano: Frequenza operativa/Potenza di uscita massima Français: Fréquence de fonctionnement/Puissance de sortie maximale Español: Frecuencia operativa/Potencia de salida máxima Deutsch: Betriebsfrequenz/Max. Ausgangsleistung Polski: Częstotliwość pracy / Maksymalna moc wyjściowa Nederlands: Bedrijfsfrequentie/Maximale uitgangsvermogen Čeština: Provozní frekvence/Maximální výstupní výkon Română: Frecvența de funcționare/Puterea maximă de ieșire Português: Frequência de Funcionamento/Potência Máxima de Saída Svenska: Driftfrekvens / Max. Utseffekt Suomi: Toimintataajuus/maksimilähtövoima Eλληνικά: Συχνότητα Λειτουργίας/Μέγιστη Ισχύς Εξόδου Magyar: Működési frekvencia/Maximális kimeneti teljesítmény Български: Работна честота/Максимална изходна мощност Eesti: Töösagedus/Max väljundvõimsus Dansk: Driftsfrekvens/Maks. Udgangs effekt Suomi: Toimintataajuus/maksimilähtövoima Hrvatski: Radna frekvencija/Maksimalna izlazna snaga Lietuvių: Operacinis dažnis /Maksimali išėjimo galia Latvian: Darbības dažns /maksimālā izjēģimo galia Slovensčina: Delovna frekvencija/Največja izhodna moč Türkçe: Çalışma Frekansı/Maks. Çıkış Gücü Русский: Рабочая частота/Макс. выходная мощность عربی: تردد التشغيل /أقصى قوة الإخراج	2412MHz-2472MHz/20dBm
--	-----------------------



FCC Statement

This equipment has been tested and found to comply with the limits for a Class B digital device, pursuant to Part 15 of the FCC Rules. These limits are designed to provide reasonable protection against harmful interference in a residential installation. This equipment generates, uses and can radiate radio frequency energy and, if not installed and used in accordance with the instructions, may cause harmful interference to radio communications. However, there is no guarantee that interference will not occur in a particular installation. If this equipment does cause harmful interference to radio or television reception, which can be determined by turning the equipment off and on, the user is encouraged to try to correct the interference by one or more of the following measures:
- Reorient or relocate the receiving antenna.
- Increase the separation between the equipment and receiver.
- Connect the equipment into an outlet on a circuit different from that to which the receiver is connected.
- Consult the dealer or an experienced radio/TV technician for help.
Operation is subject to the following two conditions: (1) This device may not cause harmful interference, and (2) this device must accept any interference received, including interference that may cause undesired operation.

Radiation Exposure Statement
This device complies with FCC radiation exposure limits set forth for an uncontrolled environment and it also complies with Part 15 of the FCC RF Rules.
This equipment should be installed and operated with minimum distance 20cm between the device and your body.

Caution:
Any changes or modifications not expressly approved by the party responsible for compliance could void the user's authority to operate this equipment.

This transmitter must not be co-located or operating in conjunction with any other antenna or transmitter.
Operating frequency: 2412-2482MHz
NOTE: (1) The manufacturer is not responsible for any radio or TV interference caused by unauthorized modifications to this equipment. (2) To avoid unnecessary radiation interference, it is recommended to use a shielded RJ45 cable.

Technical Support
Shenzhen Tenda Technology Co., Ltd.
Floor 6-8, Tower E3, No.1001, Zhongshanyuan Road, Nanshan District, Shenzhen, China. 518052
Website: www.tendacn.com
E-mail: tendasecurity@tendacn.com
support.us@tendacn.com (North America)
support.uk@tendacn.com (United Kingdom)

Copyright
© 2023 Shenzhen Tenda Technology Co., Ltd. All rights reserved.
Tenda is a registered trademark legally held by Shenzhen Tenda Technology Co., Ltd. Other brand and product names mentioned herein are trademarks or registered trademarks of their respective holders. Specifications are subject to change without notice.

